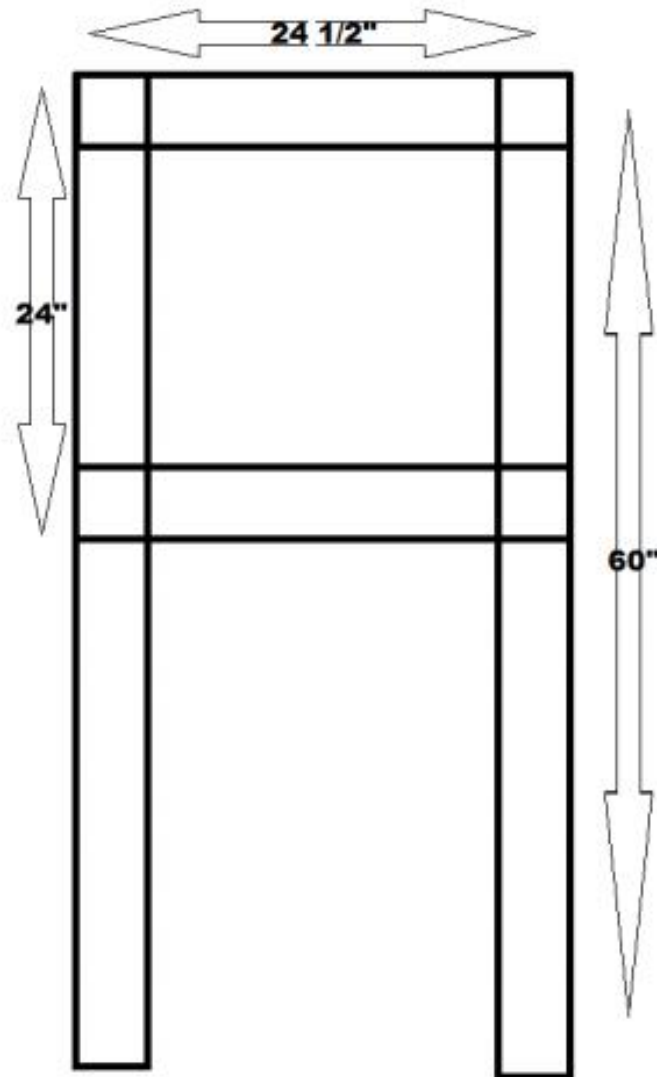


Pro Tip:

Hardware store type squeeze clamps are useful to secure frame to holder on windy days. 1"x 2" lumber can also be used.



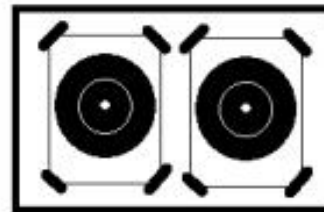
Material is 1" x 3" Lumber

Frame can be nailed, screwed, or bolted together

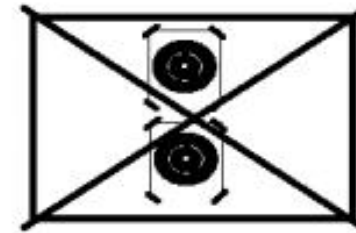
Cardboard backing can be stapled, clamped, or taped to the $24 \frac{1}{2}''$ x $24''$ area of the frame.

Affix your target to the center of the cardboard backing.

Multiple targets may be affixed side by side ONLY. Do Not place targets on the top and Bottom.



**Example:
Horizontal ONLY**



NOT VERTICAL